

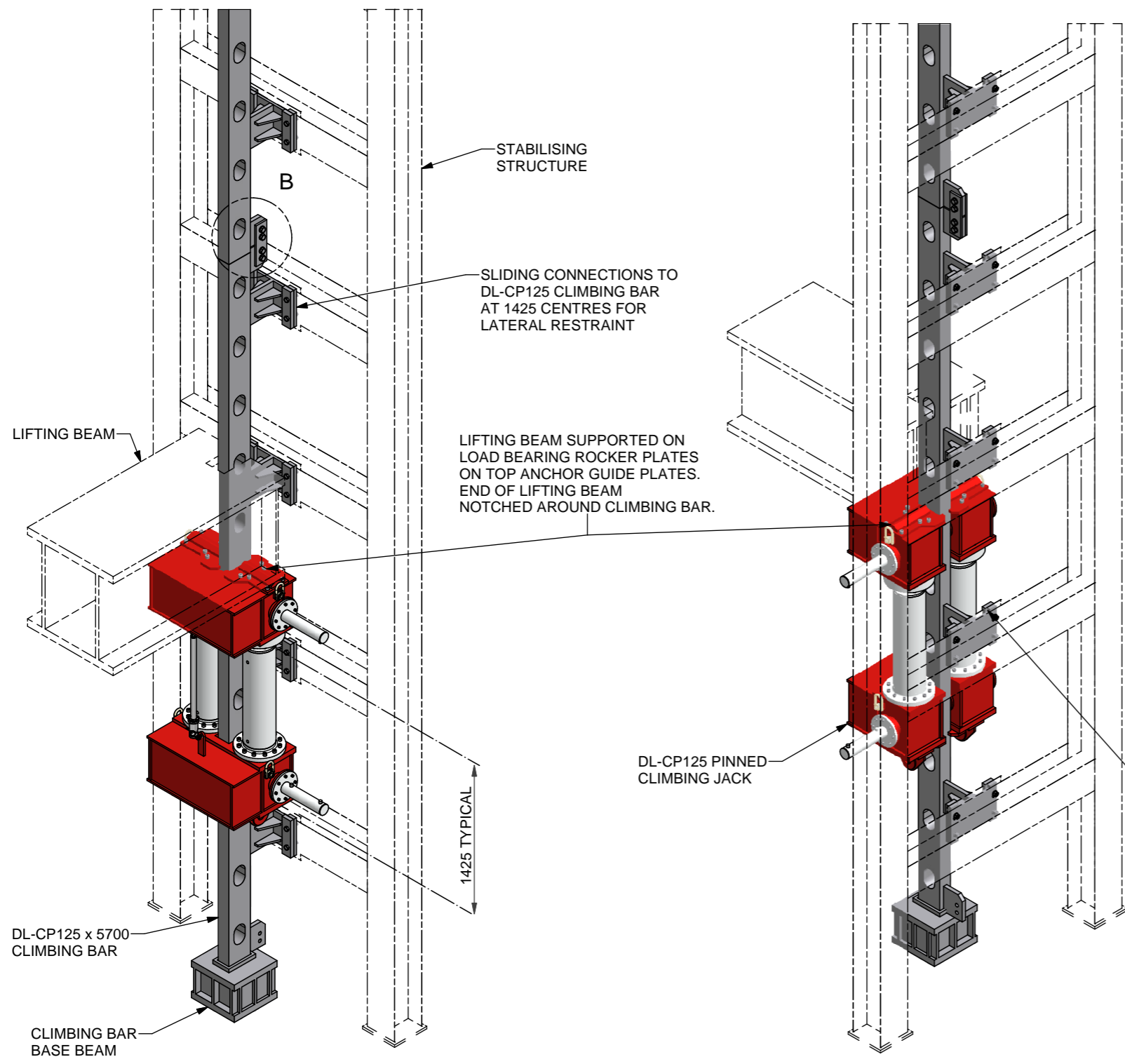
DO NOT SCALE

This drawing has been produced by Dorman Long Technology in accordance with the instructions of the client for their sole and specific use.

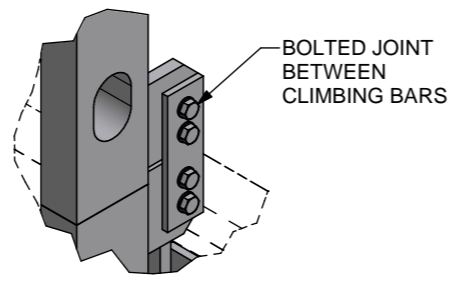
Dorman Long Technology shall not be liable for the use of any information contained on this drawing for any purpose other than that for which it was specifically prepared and provided.

Should there be any doubt regarding the interpretation of any information given on this drawing, enquiries should be directed to Dorman Long Technology at the address given below before executing such part of the works.

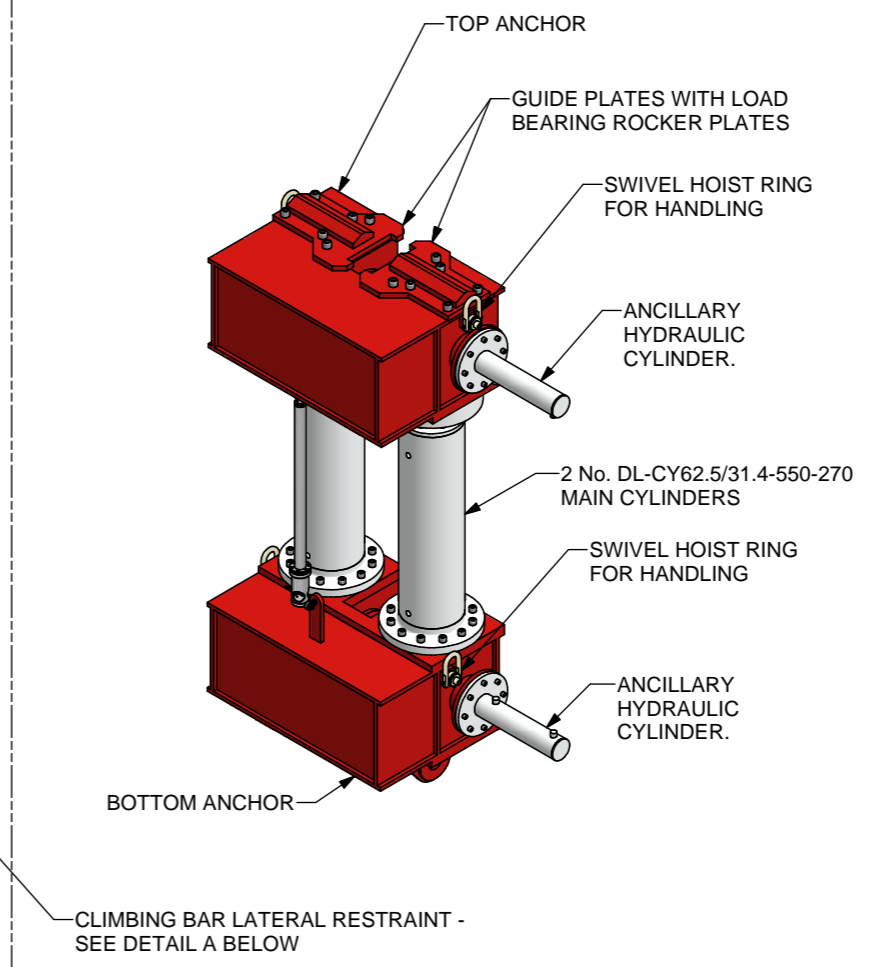
Copyright © Dorman Long Technology



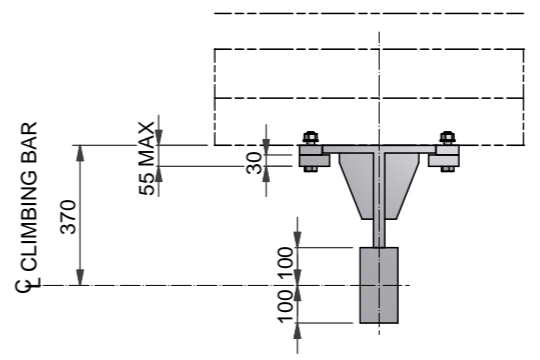
TYPICAL LIFTING ARRANGEMENT



DETAIL B



DL-CP125 PINNED CLIMBING JACK



DETAIL A
CLIMBING BAR LATERAL RESTRAINT DETAIL
(1 : 20)

NOTES

SPECIFICATION

DL-CP125 PINNED CLIMBING JACK

SAFE WORKING LOAD (SWL) (PUSH / PULL)	125 / 62.7 METRIC TONNES
JACK TEST LOAD (1.25 X SWL) (PUSH / PULL)	156 / 78 METRIC TONNES
CLOSED LENGTH (PIN CENTRES)	1390 mm
OVERALL CLOSED LENGTH	1835 mm
STROKE	550 mm
OPERATING TEMPERATURE	-20 to +40 °C
MAX FULLY EQUIPPED JACK WEIGHT	1495 kg.

DL-CY62.5/31.4-550-270 MAIN CYLINDER (2 No. PER CLIMBING JACK)

SAFE WORKING LOAD (SWL) (PUSH / PULL)	62.5 / 31.4 METRIC TONNES
WORKING PRESSURE (PUSH / PULL)	270 BAR
SEALING TEST PRESSURE (1.5 x WORKING PRESSURE) (PUSH / PULL AT END OF STROKE)	405 BAR
CYLINDER CLOSED LENGTH	980 mm
STROKE	550 mm
OPERATING TEMPERATURE	-20 to +40 °C
MAIN CYLINDER WEIGHT	269 kg

DL-CP125 x 5700 CLIMBING BAR

SAFE WORKING LOAD (SWL) (COMPRESSION)	125 METRIC TONNES
OVERALL LENGTH (EACH)	5700 mm
OPERATING TEMP	-20 to +45 °C
WEIGHT (EACH)	914 kg

DL

Dorman Long Technology
The Charles Parker Building,
Midland Road, Higham Ferrers,
Northamptonshire, NN10 8DN
United Kingdom
Tel: +44 (0) 1933 319133
Fax: +44 (0) 1933 319135
www.dormanlongtechnology.com

Project
DL-CP125 PINNED CLIMBING JACK SYSTEM

Drawing Title
DL-CP125 PINNED CLIMBING JACK
DL-CP125 x 5700 CLIMBING BAR
GENERAL ARRANGEMENT

	Design Eng: JM	Checking Eng: SAB
	Drawn by: SG	Project Eng: SAB

Scales (At A3) AS SHOWN
Drawing Status
INFORMATION

Original Drawing size: A3
Drawing No. DL-CP125-010-01
Rev. A

DO NOT SCALE

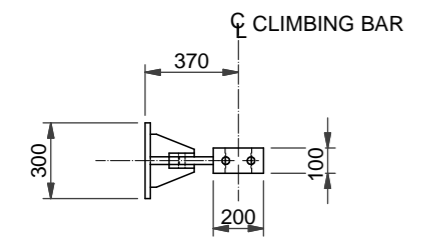
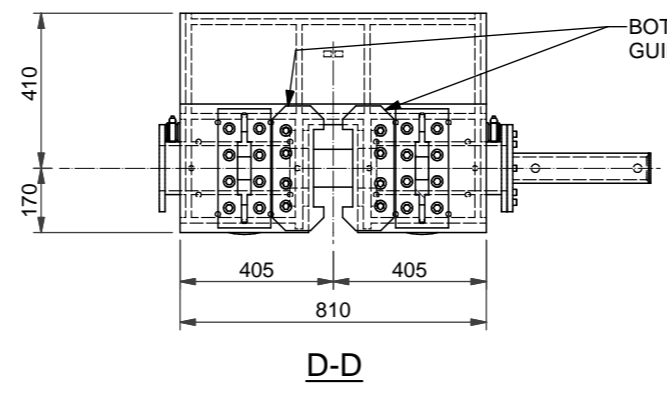
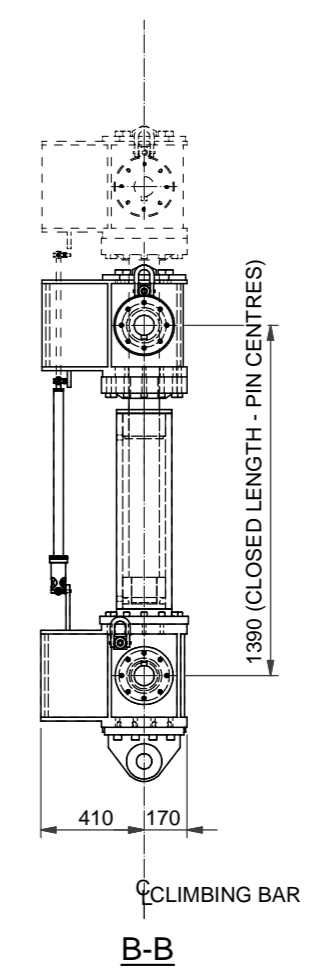
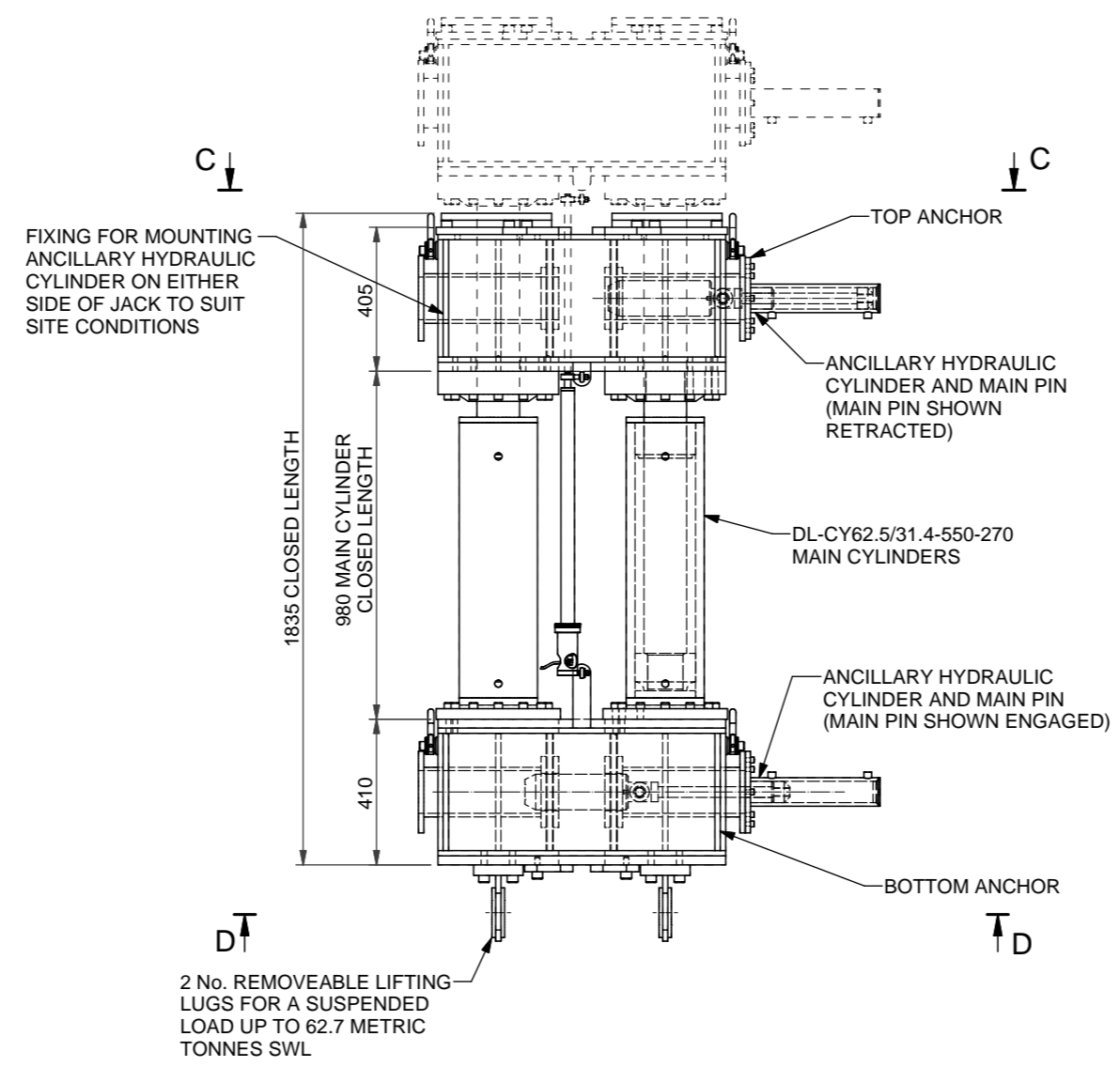
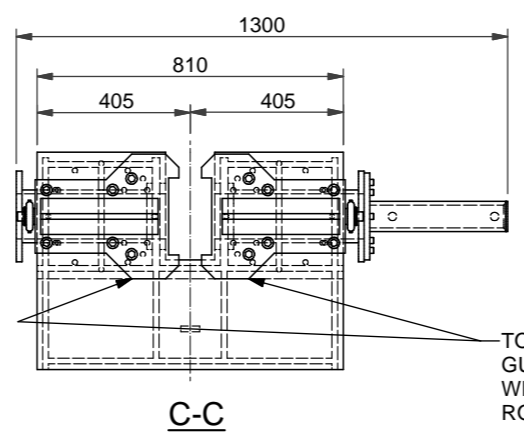
This drawing has been produced by Dorman Long Technology in accordance with the instructions of the client for their sole and specific use.
 Dorman Long Technology shall not be liable for the use of any information contained on this drawing for any purpose other than that for which it was specifically prepared and provided.
 Should there be any doubt regarding the interpretation of any information given on this drawing, enquiries should be directed to Dorman Long Technology at the address given below before executing such part of the works.

Copyright © Dorman Long Technology

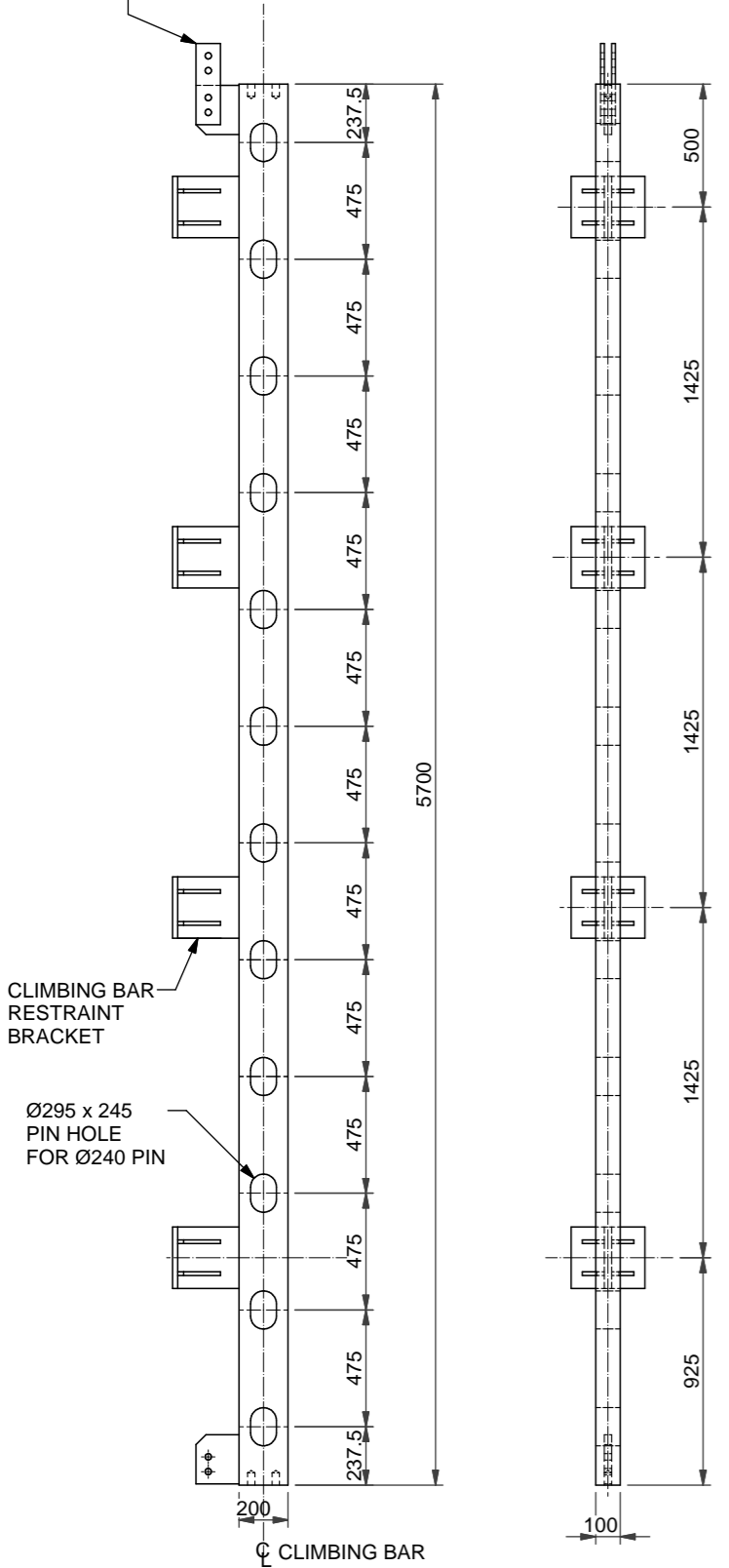
NOTES

SPECIFICATION

DL-CP125 PINNED CLIMBING JACK	
SAFE WORKING LOAD (SWL) (PUSH / PULL)	125 / 62.7 METRIC TONNES
JACK TEST LOAD (1.25 X SWL) (PUSH / PULL)	156 / 78 METRIC TONNES
CLOSED LENGTH (PIN CENTRES)	1390 mm
OVERALL CLOSED LENGTH	1835 mm
STROKE	550 mm
OPERATING TEMPERATURE	-20 to +40 °C
MAX FULLY EQUIPPED JACK WEIGHT	1495 kg.
DL-CY62.5/31.4-550-270 MAIN CYLINDER (2 No. PER CLIMBING JACK)	
SAFE WORKING LOAD (SWL) (PUSH / PULL)	62.5 / 31.4 METRIC TONNES
WORKING PRESSURE (PUSH / PULL)	270 BAR
SEALING TEST PRESSURE (1.5 x WORKING PRESSURE) (PUSH / PULL AT END OF STROKE)	405 BAR
CYLINDER CLOSED LENGTH	980 mm
STROKE	550 mm
OPERATING TEMPERATURE	-20 to +40 °C
MAIN CYLINDER WEIGHT	269 kg
DL-CP125 x 5700 CLIMBING BAR	
SAFE WORKING LOAD (SWL) (COMPRESSION)	125 METRIC TONNES
OVERALL LENGTH (EACH)	5700 mm
OPERATING TEMP	-20 to +45 °C
WEIGHT (EACH)	914 kg



CLIMBING BAR LINK PLATE FOR CONNECTION TO NEXT BAR



DL-CP125 x 5700 CLIMBING BAR
(1:30)

DL-CP125 PINNED CLIMBING JACK
(1:20)

Dorman Long Technology
 The Charles Parker Building,
 Midland Road, Higham Ferrers,
 Northamptonshire, NN10 8DN
 United Kingdom
 Tel: +44 (0) 1933 319133
 Fax: +44 (0) 1933 319135
 www.dormanlongtechnology.com

Project
DL-CP125 PINNED CLIMBING JACK SYSTEM

Drawing Title
**DL-CP125 PINNED CLIMBING JACK
 DL-CP125 x 5700 CLIMBING BAR
 GENERAL ARRANGEMENT**

Scales (At A3) AS SHOWN	Design Eng: JM	Checking Eng: SAB
	Drawn by: SG	Project Eng: SAB
Drawing Status INFORMATION		
Original Drawing size: A3		

Drawing No. DL-CP125-010-02	Rev. A
---------------------------------------	------------------